



Pole Buildings

Required submittals

1. A fully dimensioned site plan showing all existing buildings; proposed new building; driveway; well; septic area; and distance to all property lines.
2. A completed building permit application. Two sets of construction drawings.

Building and city code requirements

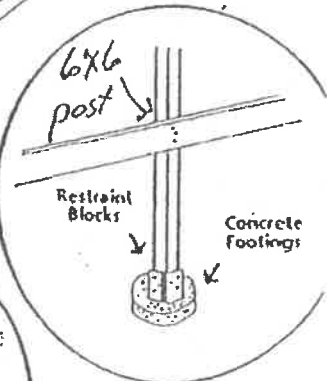
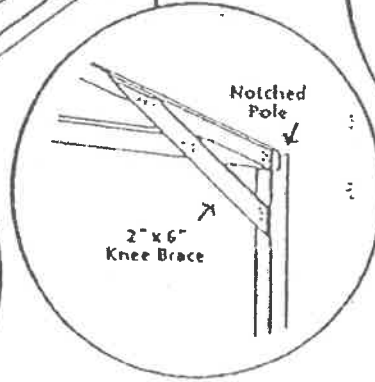
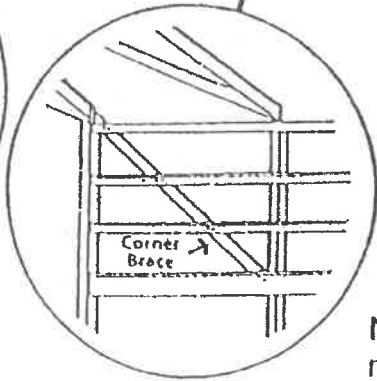
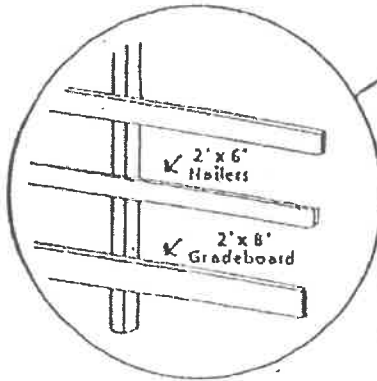
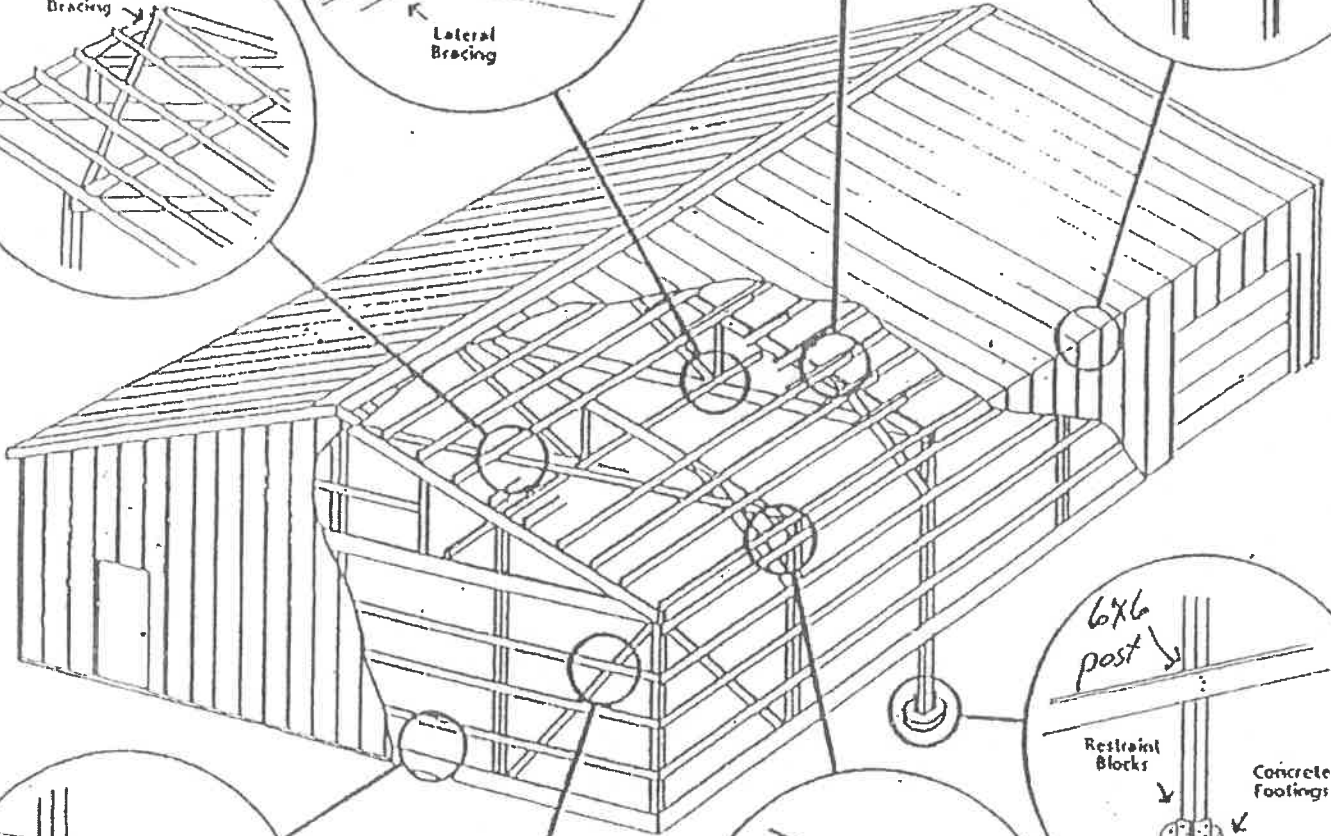
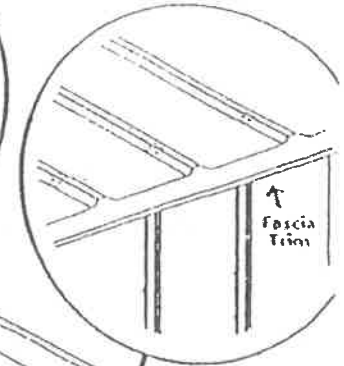
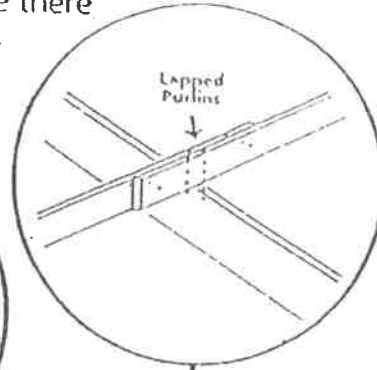
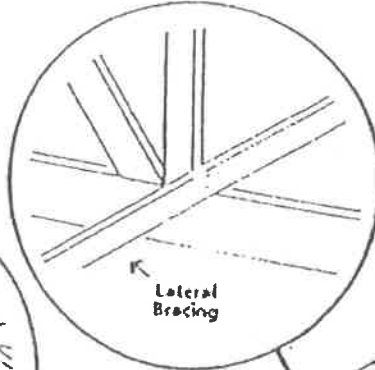
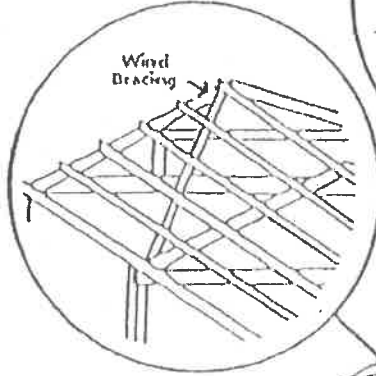
1. Property lines must be marked to ensure proper setbacks (building cannot be placed if front of dwelling or in any easements). **A FOOTING INSPECTION IS REQUIRED AT THIS TIME!!**
2. The building must be anchored to withstand a 90 M.P.H. wind load.
3. A six (6) inch separation is required between finished grade and any untreated wood (all materials exposed to outside elements must be treated).
4. Provide proper drainage away from building.
5. All openings to the exterior must be caulked and flashed.
6. Plywood or equivalent sway bracing is required on all exterior walls and roof framing. **A FRAMING INSPECTION IS REQUIRED AT THIS TIME.**
7. The siding materials applied to the building must be similar to the siding of the dwelling. **A BUILDING FINAL INSPECTION IS REQUIRED AT THIS TIME!!**

Note: The approved construction plans, roof truss specs, and site plan must be on the job site during the construction and inspections process.

Lateral Bracing – ties the truss system together for improved stability

Purlin Tails – purlins are lapped and the tails nailed to maximize their strength.

Wind Bracing – gives your building added strength and prevents twisting.



2" x 6" Nailers and 2" x 8" Gradeboard add strength at high stress areas.

2" x 6" Corner Bracing – adds rigidity to your building.

Notched Pole – truss is notched into pole for added stability.

2" x 6" Knee Brace – makes the sidewall more rigid and resistant to wind pressure.

Restraint Block – help prevent uplift due to wind and frost. Concrete Footings – prevent post settling.